

# Sundance® Spas

## Hot Tub Specification Handbook



# Important Safety Instructions - All Models



©2021 Sundance® Spas, Inc. Sundance® Spas may make product modifications and enhancements. Therefore, specifications may change without notice. Dimensions are approximate and for reference only.



**CAUTION: Always measure each hot tub for exact dimensions before designing its foundational support and/or decking.**



When designing a foundational support, always account for the following load factors:

1. Filled hot tub weight, plus (+)
2. Combined occupant weight at maximum seating capacity, plus (+)
3. Weight of support decking, when applicable.



The technical data given in this publication is for reference purposes only. It implies no warranty of any kind.



Spa specifications, dimensions and operations are subject to change without notice.

# Sundance® Spas 980 Kingston™

## Specifications

<b>Dimensions:</b> .....	92" x 100" x 34" (233.7 cm x 254 cm x 86.4 cm)
<b>Perimeter</b> .....	384" (975.4 cm)
<b>Seating Capacity:</b> .....	6-7 Adults
<b>Dry Weight:</b> .....	1,048 lbs (475 kg)
<b>Filled Weight (Spa Volume):</b> .....	5,310 lbs (2,408 kg)
<b>Filled Weight (Average Fill):</b> .....	4,392 lbs (1,992 kg)
<b>Water Capacity (Spa Volume):</b> .....	511 US Gal (1,934 Liters)
<b>Water Capacity (Average Fill):</b> .....	401 US Gal (1,518 Liters)
<b>Controls:</b> .....	980 iTouch™ Glass Interface LCD Control, Displays Temperature, Time, Cycles and Jet/Air System Control. Offers Customizing of Filtration Cycles, Lighting, Water Temperature Setting and other features
<b>Water Delivery:</b> .....	3 TheraMax High-Flow Pumps and 8-Hour Dynamic Flow Circulation System
<b>Pump 1:</b> .....	North America (60 Hz): 1-Speed/2.5 HP Continuous, 11.3A Max., 56 Frame <b>Export (50 Hz): 1-Speed/2.0 HP Continuous, 7A Max.</b>
<b>Pump 2:</b> .....	North America (60 Hz): 1-Speed/2.5 HP Continuous, 11.3A Max., 56 Frame <b>Export (50 Hz): 1-Speed/2.0 HP Continuous, 7A Max.</b>
<b>Pump 3:</b> .....	North America (60 Hz): 1-Speed/2.5 HP Continuous, 11.3A Max., 56 Frame <b>Export (50 Hz): 1-Speed/2.0 HP Continuous, 7A Max.</b>
<b>Pump 4:</b> .....	High-Output Dynamic Flow, 8-Hour Filter/Circulation Pump (35 gpm) Programmable for Daily Start Time and Duration
<b>Total Hydrojets:</b> .....	57
<b>Seat A Jets:</b> .....	6 Fluidix Reflex
<b>Seat B Jets:</b> .....	4 Fluidix Reflex
<b>Seat C Jets:</b> .....	12 Fluidix-ST, 2 Fluidix Nex, 2 Pulsator, 2 Accu-Pressure
<b>Seat D Jets:</b> .....	1 Vortex
<b>Seat E Jets:</b> .....	2 Fluidix Nex, 4 Fluidix Reflex, 2 Fluidix Intelli-Jet, 2 Pulsator, 2 Accu-Pressure
<b>Seat F Jets:</b> .....	2 Vortex
<b>Seat G Jets:</b> .....	4 Vortex
<b>Footwell Jets (H):</b> .....	8 Accu-Pressure, 1 Accu-Pressure (sidewall), 1 Vortex
<b>Air Blower:</b> .....	High-efficiency, 1-Speed
<b>Aromatherapy Delivery:</b> .....	12 Silent Air® Injector Jets with Quiet High Speed Air Pump
<b>Air Controls/Massage Selectors:</b> .....	4/2
<b>Filter:</b> .....	MicroClean® Ultra Filtration System, 130 ft² (2 interlocking cartridge filters)
<b>Water Treatment:</b> .....	Automatic Brominator and Dynamic Flow Circulation System; Factory installed CLEARRAY® Active Oxygen System
<b>Lighting:</b> .....	Multicolored LED Lighting System (1 Waterfall, 1 Footwell), Exterior Corner Lights, SunCooler Bin Lights, Seat Accent Lights
<b>Synthetic Cabinet:</b> .....	Available in Coastal, Mahogany
<b>Shell Colors:</b> .....	Platinum, Celestite (Gypsum), Sahara, Monaco, Porcelain, Midnight
<b>Headrests:</b> .....	4
<b>Heater:</b> .....	Low Flow 5.5 kW With Titanium Element <b>Export (50 Hz): Low Flow 2.7 kW with Titanium Element</b>
<b>Electrical Requirements:</b> .....	North America (60 Hz): 240 VAC@40A/50A or 60A; <b>Export (50 Hz): 230-240 VAC@1x20A, 1x16A/1x20A, 3x16A (see manual for more configurations); or Suitable Rated Circuit Breaker To Comply With Local Electrical Regulations. Certain Countries May Require 2 Power Inputs; Two GFCI/RCD Breakers are Required For This Configuration.</b>
<b>Limited Warranty*:</b> .....	North America (60 Hz): 10 Years Shell, 7 Years Shell Surface, 5 Years Plumbing Component Leaks, 5 Years Equipment and Controls, 5 Years Cabinet, 5 Years Jets, 2 Years Lights, 1 Year Stereo <b>Export (50 Hz): 10 Years Shell, 7 Years Shell Surface, 5 Years Plumbing Component Leaks, 5 Years Equipment and Controls, 5 Years Cabinet, 5 Years Jets, 2 Years Lights, 2 Years Stereo</b>
<b>Waterfall Feature:</b> .....	Adjustable Flow Rate; Colored Lighting
<b>Audio System (Optional):</b> .....	Factory Installed BLUEWAVE® 2.0 Wireless Spa Stereo System with Auxiliary 3.5 mm headphone jack connection, Bluetooth® compatible, 4 premium speakers and a powered subwoofer
<b>Special Features:</b> .....	Factory Installed SmartTub™ module

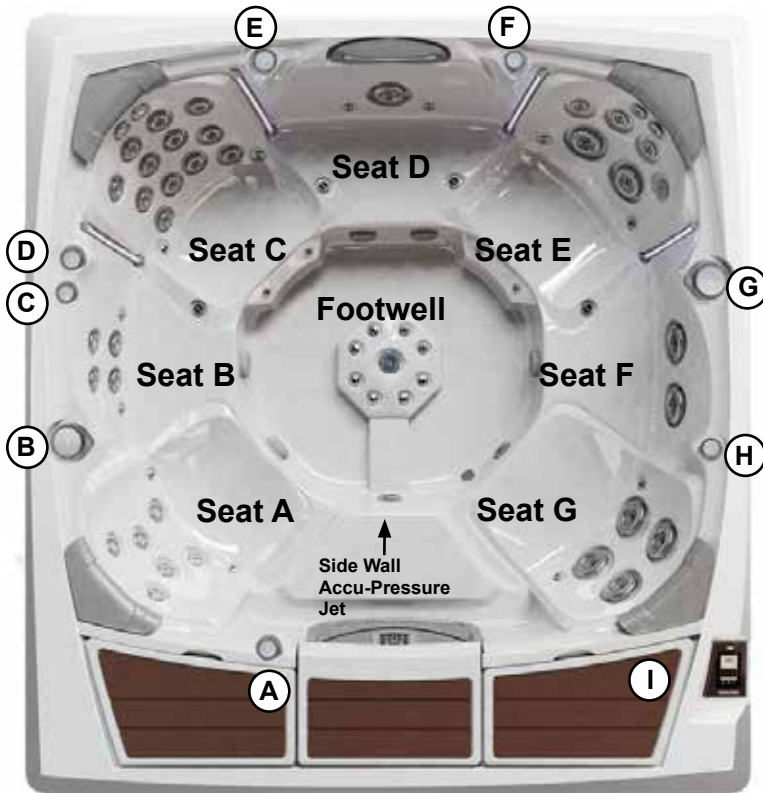


\*(See Warranty Document for Specific Details)

Dimensions/Specifications Subject To Change Without Notice

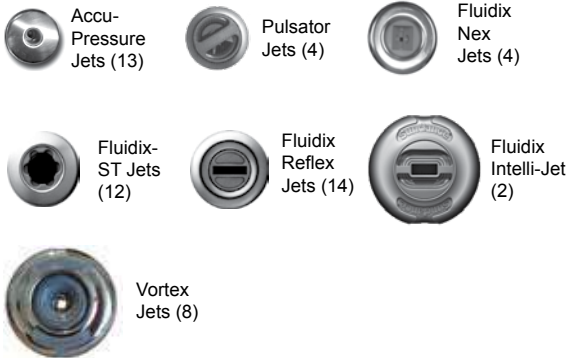
# Sundance Spas 980 Kingston

## Operation/Seat Depths



- (A)** Air Control - Activates Seat A Jets (6 Fluidix Reflex), Seat B Jets (4 Fluidix Reflex), Seat F Jets (2 Vortex), Seat D Jets (1 Vortex), and Footwell (2 Accu-Pressure, 1 Vortex) - Also used when draining the SunCooler Bins in the close position.
- (B)** Massage Selector [Pump 2] - Adjusts Massage Level Between Seat A Jets + 2 Footwell (2 Accu-Pressure) and Seat B Jets (2 Lower Fluidix Reflex) + Seat D Jets + Seat F Jets
- (C)** AccuSage Seat Valve - Adjusts Water Flow for Seat C (2 Fluidix Nex, 12 Fluidix-ST, 2 Accu-Pressure Jets, 2 Pulsators) + Footwell (2 Accu-Pressure)
- (D)** Air Control - Activates Seat C Jets (2 Fluidix Nex, 12 Fluidix Reflex, 2 Pulsators, 2 Accu-Pressure) and Footwell (2 Accu-Pressure)
- (E)** Waterfall Selector [8-Hour Circ. Pump] - Controls Waterfall Output
- (F)** Air Control - Activates Seat E Jets (2 Fluidix Nex, 4 Fluidix Reflex, 2 Fluidix Intelli-Jet, 2 Pulsators, 2 Accu-Pressure) and Footwell (2 Accu-Pressure)
- (G)** Massage Selector [Pump 1] - Adjusts Massage Level Between the Seat E Jets + Seat G Jets and Footwell (2 Accu-Pressure) + Footwell (2 Accu-Pressure)
- (H)** Air Control - Activates Seat G Jets (4 Vortex) and Footwell (2 Accu-Pressure)

### 57 Total Jets



- (I)** SunScents Dispenser
- Jets Pump 3: Seat C Jets + 2 Footwell Jets (2 Accu-Pressure)
- Jets Pump 2: Seat B (2 Upper Fluidix Reflex Jets) + Center Footwell Jet (1 Vortex) are always on when this pump is running.
- Jets Pump 1: Footwell Upper Right (2 Accu-Pressure Jets) + 1 Accu-Pressure Jet (Side Wall) in Footwell and SunCooler Perimeter Drains are always on when this pump is running.

Spa Operation Subject To Change Without Notice

## SEAT DEPTHS

<b>A = 23.25" (59.01 cm)</b>	<b>G = 22.00" (55.88 cm)</b>
<b>B = 21.00" (53.34 cm)</b>	<b>H = 17.00" (43.18 cm)</b>
<b>C = 26.00" (66.04 cm)</b>	<b>I = 29.25" (74.30 cm)</b>
<b>D = 20.50" (52.07 cm)</b>	<b>SunCooler Bin Depth</b>
<b>E = 24.25" (61.60 cm)</b>	<b>J = 13.50" (34.29 cm)</b>
<b>F = 20.00" (50.80 cm)</b>	

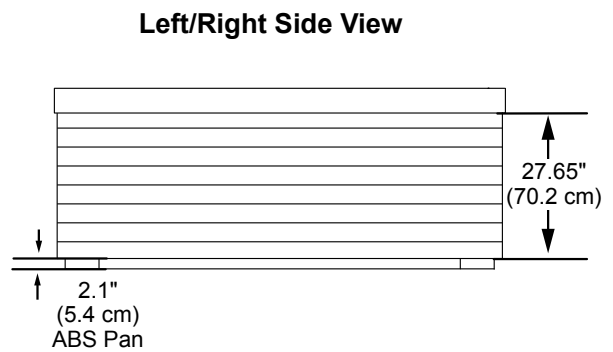
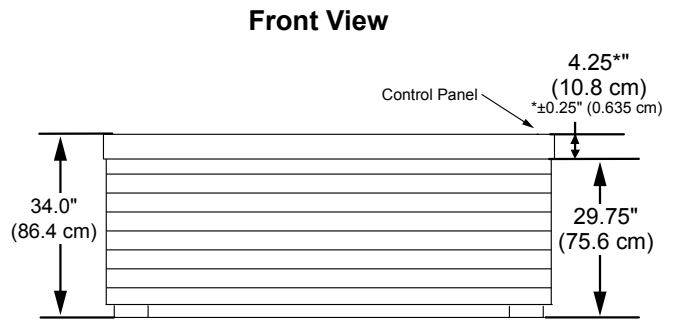
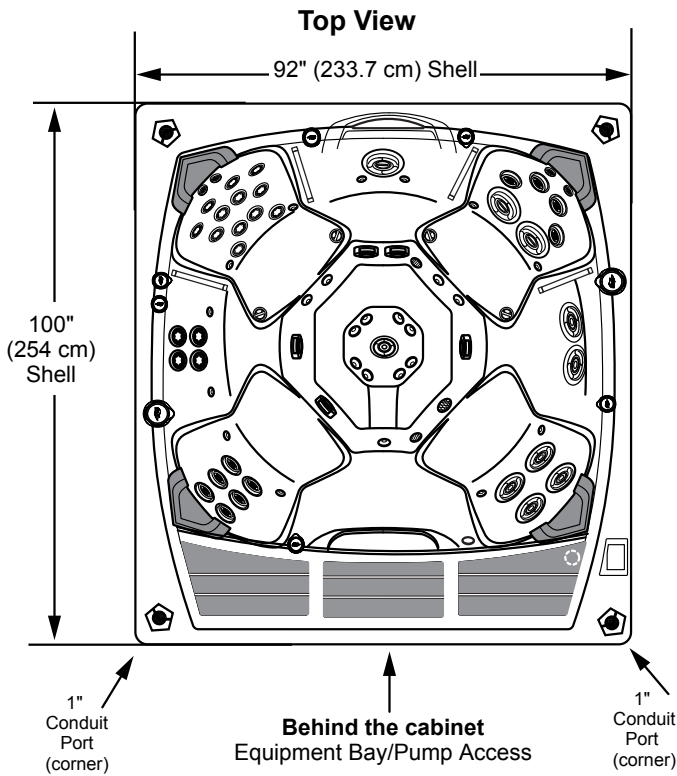
Listed dimensions represent distance from top of acrylic to lowest point in seat. **Tolerance ± 0.5" (1.27 cm).**



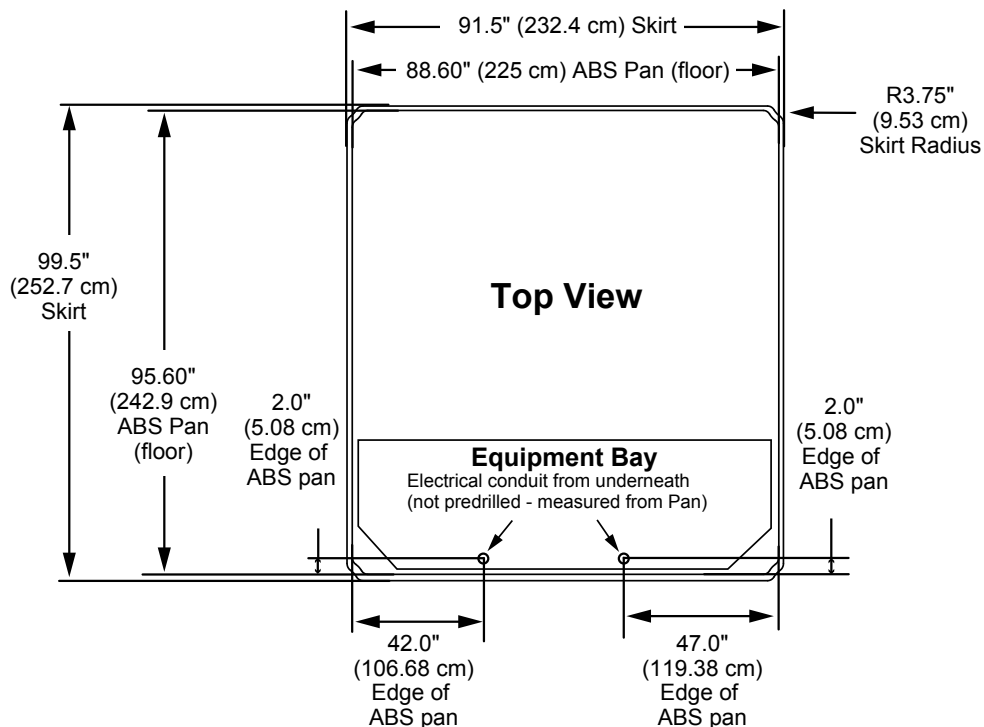
Dimensions/Specifications Subject To Change Without Notice

# Sundance Spas 980 Kingston

## Portable Dimensions



**IMPORTANT! Always measure each hot tub for exact dimensions BEFORE designing its foundational support and/or decking.**



**Dimensions/specifications subject to change without notice. Tolerance: ± 0.5" (1.27 cm)**

Dimensions/Specifications Subject To Change Without Notice