

Sundance® Spas

Hot Tub Specification Handbook



Important Safety Instructions - All Models



©2021 Sundance® Spas, Inc. Sundance® Spas may make product modifications and enhancements. Therefore, specifications may change without notice. Dimensions are approximate and for reference only.



CAUTION: Always measure each hot tub for exact dimensions before designing its foundational support and/or decking.



When designing a foundational support, always account for the following load factors:

1. Filled hot tub weight, plus (+)
2. Combined occupant weight at maximum seating capacity, plus (+)
3. Weight of support decking, when applicable.



The technical data given in this publication is for reference purposes only. It implies no warranty of any kind.



Spa specifications, dimensions and operations are subject to change without notice.

Sundance® Spas 780 Chelsee®

Specifications

Dimensions:	89" x 89" x 36" (226 cm x 226 cm x 91.44 cm)	
Perimeter	356" (904.2 cm)	
Seating Capacity:	6-7 Adults	
Dry Weight:	873 lbs (396 kg)	
Filled Weight (Spa Volume):	5,210 lbs (2,363 kg)	
Filled Weight (Average Fill):	4,209 lbs (1,909 kg)	
Water Capacity (Spa Volume):	520 US Gal (1,968 Liters)	
Water Capacity (Average Fill):	400 US Gal (1,514 Liters)	
Controls:	780 Series Solid-State Electronic Controls with LCD Readout, Programmable Water Temperature, Filtration, and Heat Cycles	
Water Delivery:	2 High Flow Pumps	
Pump 1:	North America (60 Hz): 1-Speed/2.5 HP Continuous, 12.0A Max., 56 Frame Export (50 Hz): 1-Speed/2.0 HP Continuous, 8.0A Max.	
Pump 2:	North America (60 Hz): 1-Speed/2.5 HP Continuous, 11.0A Max., 56 Frame Export (50 Hz): 1-Speed/2.0 HP Continuous, 7.0A Max.	
Pump 3:	8-Hour Filter/Circulation Pump; High Output Flow	
Total Hydrojets:	40	
Seat A Jets:	2 Vortex	
Seat B Jets:	2 SMT Fluidix	
Seat C Jets:	4 SMT Micro, 9 Accu-Pressure	
Seat D Jets:	1 Vortex	
Seat E Jets:	2 SMT Micro, 6 SMT Fluidix	
Seat F Jets:	4 Mini-Vortex, 2 Vortex	
Footwell Jets (G):	8 Adjustable Accu-Pressure	
Air Controls/Massage Selectors:	4/1 Standard air control with LED lights	
Filter:	MicroClean® I Filtration System with Floating Weir, 125 ft² combined filtration (1 pleated and 1 spun-bound cartridge)	
Water Treatment:	8-Hour Circulation Pump; Factory installed CLEARRAY® Active Oxygen System	
Lighting:	Standard Multi-Colored SunRay LED Light; 7 LED Pin Lights; Indicator light; Air controls	
Synthetic Cabinet:	Available in Coastal, Mahogany, Autumn Walnut	
Shell Colors:	North America: Platinum, Celestite (Gypsum), Sahara, Monaco, Midnight, Porcelain Export (50 Hz): All North America Colors	
Handrails:	N/A	
Headrests:	Four, 1-Piece Gray	
Heater:	North America (60 Hz): 5.5 kW, High Flow Export (50 Hz): High Flow, 2.7 kW	
Electrical Requirements:	North America (60 Hz): 240 VAC@40A, 50A, or 60A; Export (50 Hz): 230-240 VAC@1x20A, 1x16A/1x20A, or 3x16A (see manual for more configurations); or Suitably Rated Circuit Breaker to Comply with Local Electrical Regulations. Certain Countries May Require Dual Power Inputs; Two GFCI/RCD Breakers are Required for This Configuration.	
Limited Warranty*:	North America (60 Hz): 10 Years Shell, 7 Years Shell Surface, 5 Years for Plumbing Component Leaks, 5 Years Equipment and Controls, 5 Years Cabinet, 2 Years Jets, 2 Years Lights, 1 Year Stereo Export (50 Hz): 10 Years Shell, 7 Years Shell Surface, 5 Years Plumbing, 5 Years Equipment and Controls, 5 Years Cabinet, 2 Years Jets, 2 Years Lights, 2 Years Stereo	
Waterfall Feature:	On/Off Flow Rate; Colored Lighting	
Audio System (Optional):	Factory Installed BLUEWAVE® Spa Stereo System with an Auxiliary 3.5 mm headphone jack connection and Bluetooth® compatible	
Special Features (Optional):	Factory Installed SmartTub™ module	

*(See Warranty Document for Specific Details)

Dimensions/Specifications Subject To Change Without Notice

Sundance Spas 780 Chelsee

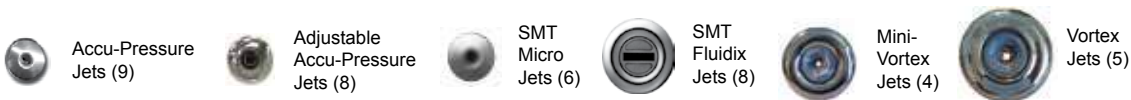
Operation/Seat Depths



- (A)** Air Control - Activates Seat A Jets (2 Vortex) + Seat B Jets (2 SMT Fluidix) + Footwell Jets (2 Adjustable Accu-Pressure)
- (B)** Massage Selector [Pump 1]- Adjusts Massage Level Between Seat C Jets + Footwell Jets (2 Adjustable Accu-Pressure) and Seat F Jets + Footwell Jets (2 Adjustable Accu-Pressure)
- (C)** Air Control - Activates Seat C Jets (4 SMT Micro, 9 Accu-Pressure) + Footwell Jets (2 Adjustable Accu-Pressure)
- (D)** Air Control - Activates Seat D Jet (1 Vortex) + Seat E (2 SMT Micro, 6 SMT Fluidix) + Footwell Jets (2 Adjustable Accu-Pressure)
- (E)** Air Control - Activates Seat F Jets (2 Vortex, 2 Mini-Vortex) + Footwell Jets (2 Adjustable Accu-Pressure)
- (F)** Waterfall Selector [8-Hour Circ. Pump] - Controls Waterfall Output

• Jets Pump 2: Seat A Jets + Seat B Jets + Seat D + Seat E Jets + 4 Footwell Jets are always on when this pump is running

40 Total Jets (Stainless Steel Escutcheons Standard)



Spa Operation Subject To Change Without Notice

SEAT DEPTHS

- A = 25.38" (64.47 cm)**
- B = 21.75" (55.25 cm)**
- C = 27.50" (69.85 cm)**
- D = 21.50" (54.61 cm)**
- E = 25.50" (64.77 cm)**
- F = 24.00" (60.96 cm)**
- G = 18.25" (46.36 cm)**
- H = 29.88" (75.88 cm)**

Listed dimensions represent distance from top of acrylic to lowest point in seat. **Tolerance ± 0.5" (1.27 cm).**

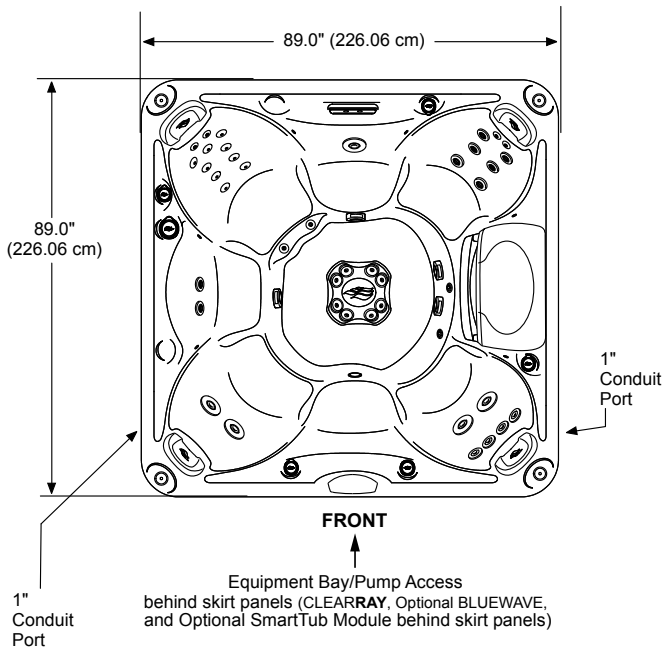


Dimensions/Specifications Subject To Change Without Notice

Sundance Spas Chelsee

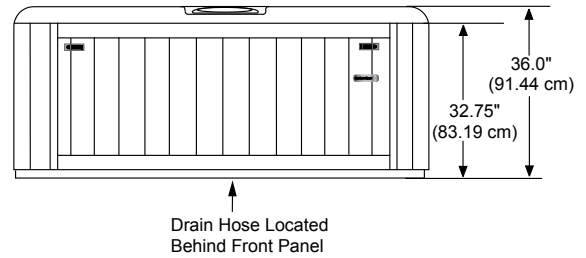
Portable Dimensions

TOP VIEW



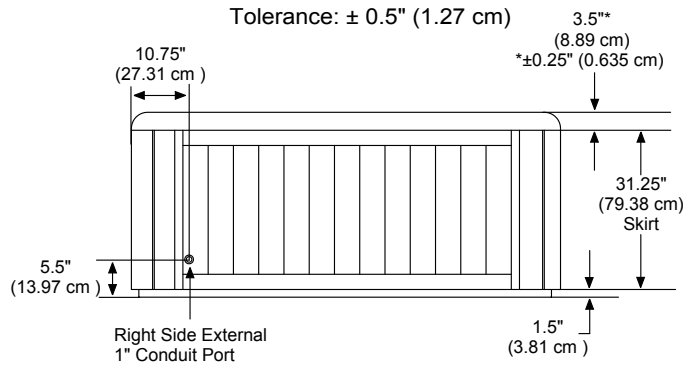
FRONT/BACK VIEW

Tolerance: $\pm 0.5"$ (1.27 cm)

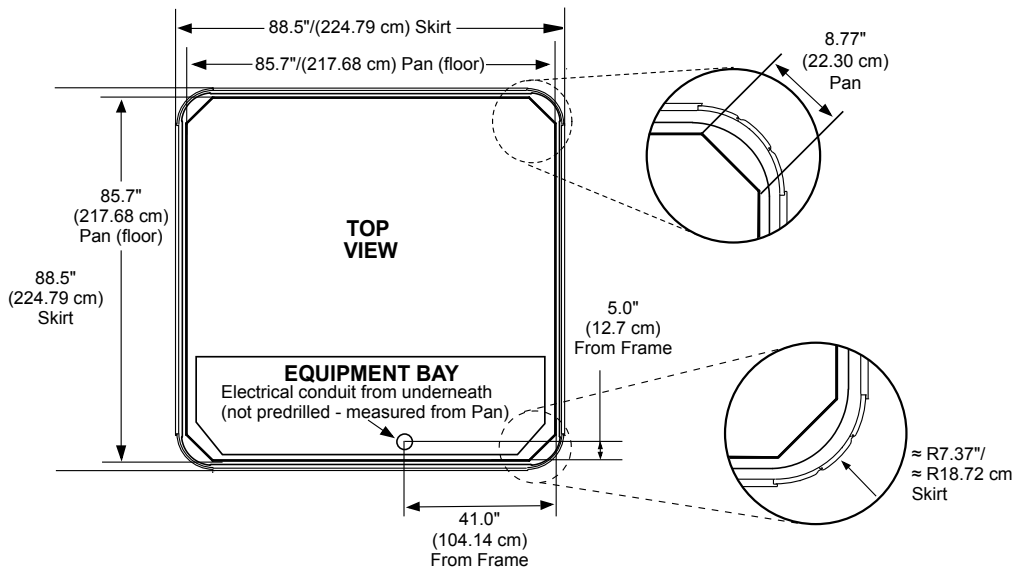


RIGHT SIDE VIEW

Tolerance: $\pm 0.5"$ (1.27 cm)



IMPORTANT! Always measure each hot tub for exact dimensions BEFORE designing its foundational support and/or decking.



Dimensions/specifications subject to change without notice. Tolerance: $\pm 0.5"$ (1.27 cm)

Dimensions/Specifications Subject To Change Without Notice