

Sundance® Spas

Hot Tub Specification Handbook



Important Safety Instructions - All Models



©2021 Sundance® Spas, Inc. Sundance® Spas may make product modifications and enhancements. Therefore, specifications may change without notice. Dimensions are approximate and for reference only.



CAUTION: Always measure each hot tub for exact dimensions before designing its foundational support and/or decking.



When designing a foundational support, always account for the following load factors:

1. Filled hot tub weight, plus (+)
2. Combined occupant weight at maximum seating capacity, plus (+)
3. Weight of support decking, when applicable.



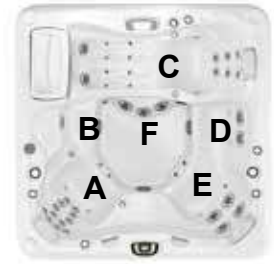
The technical data given in this publication is for reference purposes only. It implies no warranty of any kind.



Spa specifications, dimensions and operations are subject to change without notice.

Sundance® Spas 880 Cameo®

Specifications



| | |
|--|---|
| Dimensions: | 89" x 89" x 37.5" (226 cm x 226 cm x 95.25 cm) |
| Perimeter | 356" (904.2 cm) |
| Seating Capacity: | 5-6 Adults |
| Dry Weight: | 962 lbs (436 kg) |
| Filled Weight (Spa Volume): | 4,882 lbs (2,214 kg) |
| Filled Weight (Average Fill): | 4,048 lbs (1,836 kg) |
| Water Capacity (Spa Volume): | 470 US Gal (1,779 Liters) |
| Water Capacity (Average Fill): | 370 US Gal (1,401 Liters) |
| Controls: | 880 Touch Interface LCD Control, Displays Temperature, Time, Cycles and Jet/Air System Control. Offers Customizing of Filtration Cycles, Lighting, Water Temperature Setting and other features |
| Water Delivery: | 2 TheraMax High Flow Pumps and 8-Hour Dynamic Flow Circulation System |
| Pump 1: | North America (60 Hz): 1-Speed/2.5 HP Continuous, 11.3A Max., 56 Frame Export (50 Hz): 1-Speed/2.0 HP Continuous, 7.0A Max. |
| Pump 2: | North America (60 Hz): 1-Speed/2.5 HP Continuous, 11.3A Max., 56 Frame Export (50 Hz): 1-Speed/2.0 HP Continuous, 7.0A Max. |
| Pump 3: | High Output Dynamic Flow, 8-Hour Filter/Circulation Pump (35 gpm) Programmable for Daily Start Time and Duration |
| Total Hydrojets: | 54 |
| Seat A Jets: | 2 Fluidix Nex, 12 Fluidix-ST, 2 Accu-Pressure, 2 Pulsator |
| Seat B Jets: | 1 Whirlpool |
| Seat C Jets: | 2 Fluidix Nex, 6 Fluidix Reflex, 2 Pulsator, 2 Accu-Pressure, 2 Vortex, 8 Focus-Relief® |
| Seat D Jets: | 2 Vortex |
| Seat E Jets: | 2 Vortex, 2 Fluidix Intelli-Jet, 2 Accu-Pressure, 2 Fluidix Nex |
| Footwell Jets (F): | 3 Whirlpool |
| Air Blower: | High-Efficiency, 1-Speed |
| Aromatherapy Delivery: | 6 Air Injector Jets with Quiet High Speed Air Pump |
| Air Controls/Massage Selectors: | 5/2 (Standard air control with LED lights and massage selector with LED lights) |
| Filter: | MicroClean® Ultra Filtration System, 130 ft² (2 interlocking cartridge filters) |
| Water Treatment: | Automatic Brominator and Dynamic Flow Circulation System; Factory installed CLEARRAY® Active Oxygen System |
| Lighting: | Multi-Colored Sunglow LED Lighting System (1 Waterfall, 1 Footwell, 5 Air control, 2 Massage Selectors, 2 Backlit handrails, Exterior lights) |
| Skirt Cabinet (SunSide™): | Modern Hardwood, Brushed Gray and Vintage Oak (Equipped with Standard Exterior Lights) |
| Shell Colors: | North America: Platinum, Celestite (Gypsum), Sahara, Monaco, Midnight, Porcelain Export (50 Hz): All North America Colors |
| Handrails: | Two High Quality Stainless Steel with backlit LED lighting |
| ComforTone Headrests: | Three, 1-Piece Gray |
| Heater: | North America (60 Hz): Low Flow 5.5 kW with Titanium Element Export (50 Hz): Low Flow 2.7 kW with Titanium Element |
| Electrical Requirements: | North America (60 Hz): 240 VAC@40A, 50A or 60A; Export (50 Hz): 230-240 VAC@1x40A or 1x16A/1x32A, 1x20A/1x16A, 3x16A (see manual for more configurations); or Suitably Rated Circuit Breaker to Comply with Local Electrical Regulations. Certain Countries may Require 2 Power Inputs; Two GFCI/RCD Breakers are Required for This Configuration. |
| Limited Warranty*: | North America (60 Hz): 10 Years Shell, 7 Years Shell Surface, 5 Years Plumbing Component Leaks, 5 Years Equipment and Controls, 5 Years Synthetic Cabinet, 5 Years Jets, 2 Years Lights, 1 Year Stereo Export (50 Hz): 10 Years Shell, 7 Years Shell Surface, 5 Years Plumbing Component Leaks, 5 Years Equipment and Controls, 5 Years Synthetic Cabinet, 5 Years Jets, 2 Years Lights, 2 Years Stereo |
| Waterfall Feature: | Adjustable Flow Rate; Colored Lighting |
| Audio System (Optional): | Factory Installed BLUEWAVE® 2.0 Wireless Spa Stereo System with Auxiliary 3.5 mm headphone jack connection, Bluetooth® compatible, 4 premium speakers and a powered subwoofer |
| Special Features: | MicroClean® Plus Versatile Filter Lid, Optional Filter Lid Pillow seat, Optional (Factory Installed) SmartTub™ Module |

*(See Warranty Document for Specific Details)

Dimensions/Specifications Subject To Change Without Notice

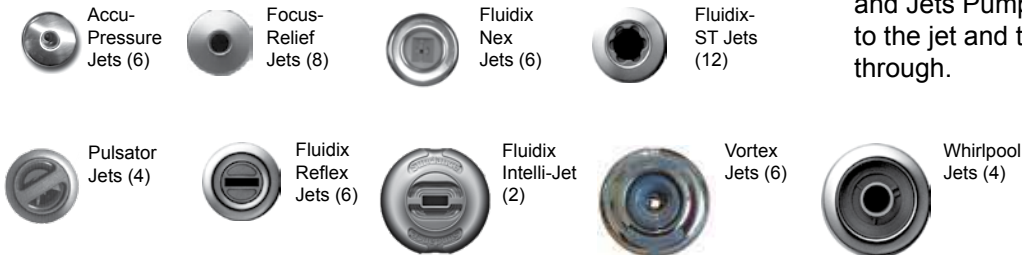
Sundance Spas 880 Cameo

Operation/Seat Depths



- (A)** Air Control - Activates Upper Eight Seat A Jets (2 Fluidix Nex, 6 Fluidix-ST)
- (B)** Air Control - Activates Lower Seat A Jets (6 Fluidix-ST, 2 Accu-Pressure, 2 Pulsator) + Seat D Jets (2 Vortex)
- (C)** Massage Selector [Pump 1] - Adjusts Massage Level Between Footwell Jets and Seat A Jets + Seat D Jets
- (D)** Sunscents Dispenser
- (E)** Waterfall Selector [8-Hour Circ. Pump] - Controls Waterfall Output
- (F)** Air Control - Activates Seat C Jets (2 Fluidix Nex, 6 Fluidix Reflex, 2 Accu-Pressure, 2 Pulsator, 2 Vortex) + Lower Four Seat E Jets (2 Fluidix Intelli-Jet, 2 Accu-Pressure) + Upper Two Seat E Jets (2 Fluidix Nex)
- (G)** Air Control - Activates the Footwell Jets (3 Whirlpool)
- (H)** Massage Selector [Pump 2] - Adjusts Massage Level Between Seat E Jets + Seat B and Seat C Jets
- (I)** Air Control - Activates Upper 2 Seat E Jets (2 Vortex) + Seat B Jet (1 Whirlpool)

54 Total Jets



- Focus-Relief Jets: Work with both the blower and Jets Pump 2. The blower introduces air to the jet and the Jets Pump forces water through.

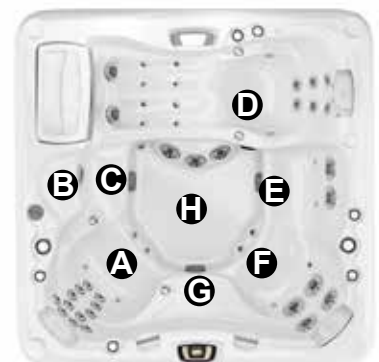
Spa Operation Subject To Change Without Notice

SEAT DEPTHS

- A = 28.00" (71.12 cm)**
- B = 7.50" (19.05 cm)**
- C = 20.00" (50.80 cm)**
- D = 26.00" (66.04 cm)**
- E = 24.50" (62.23 cm)**
- F = 24.50" (62.23 cm)**

- G = 17.00" (43.18 cm)**
- H = 31.00" (78.74 cm)**

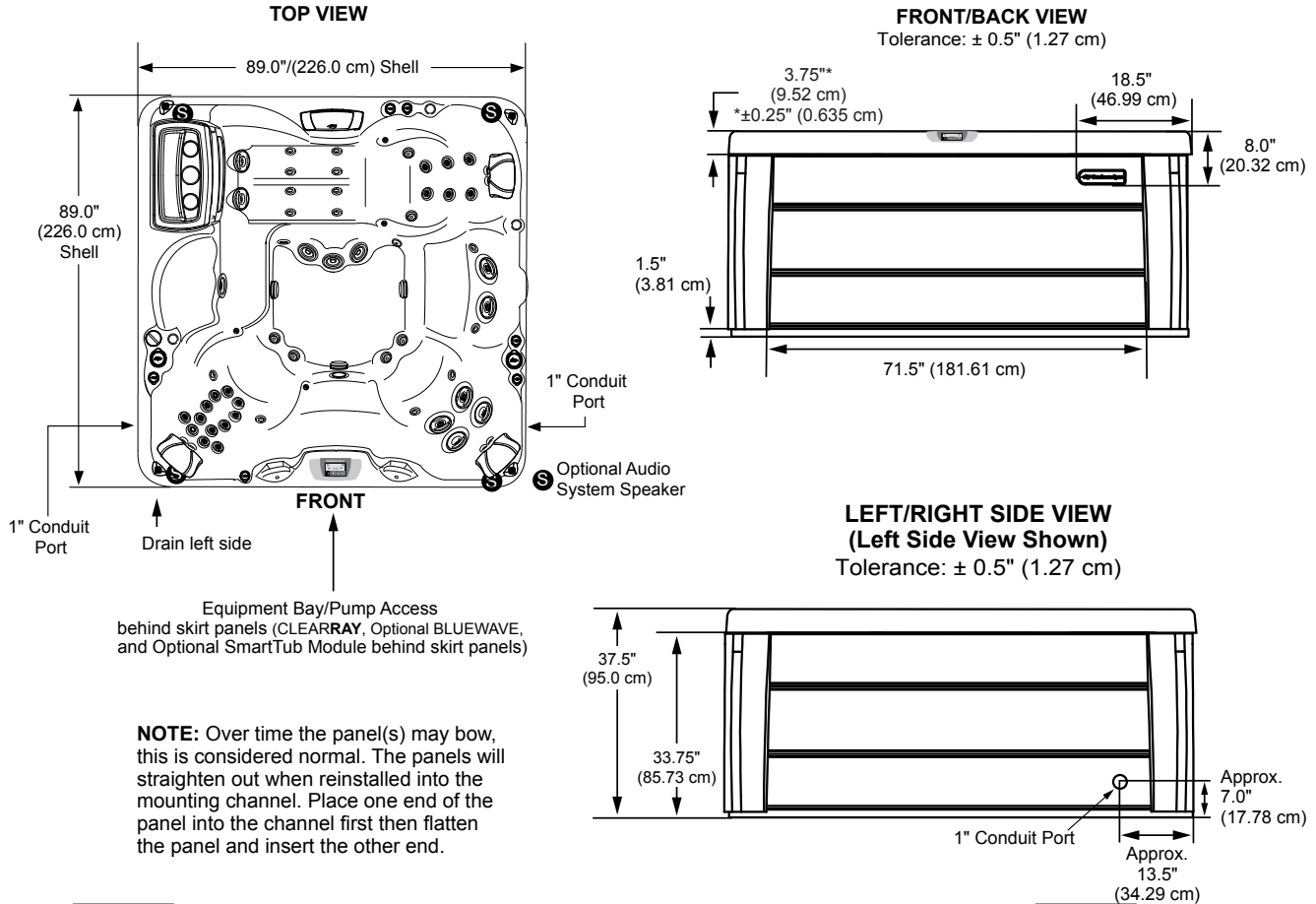
Listed dimensions represent distance from top of acrylic to lowest point in seat. **Tolerance ± 0.5" (1.27 cm).**



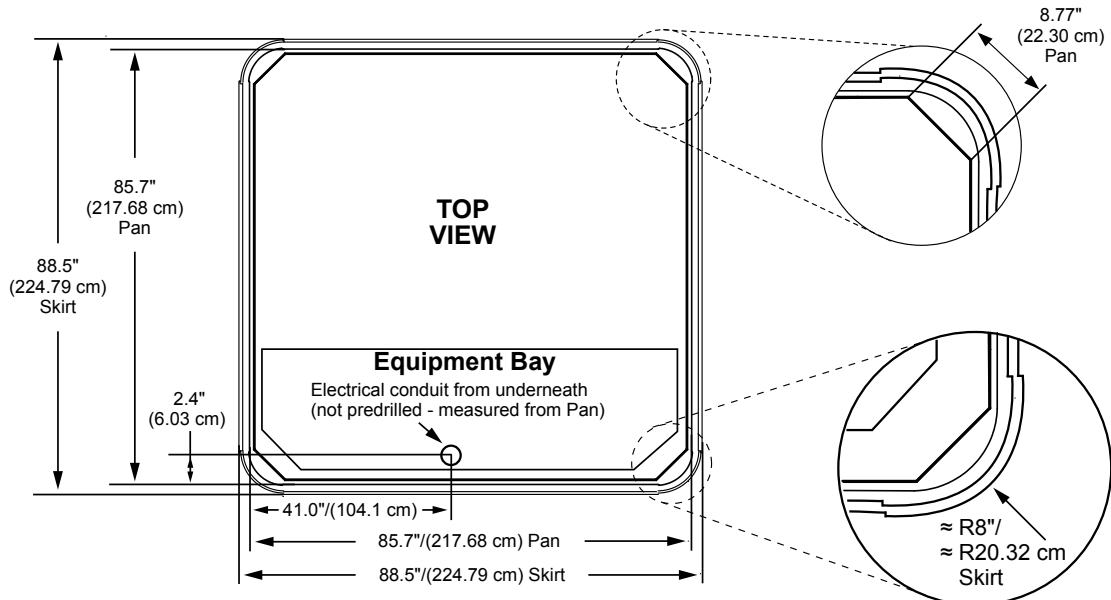
Dimensions/Specifications Subject To Change Without Notice

Sundance Spas 880 Cameo

Portable Dimensions



IMPORTANT! Always measure each hot tub for exact dimensions BEFORE designing its foundational support and/or decking.



Dimensions/specifications subject to change without notice. Tolerance: $\pm 0.5"$ (1.27 cm)

Dimensions/Specifications Subject To Change Without Notice